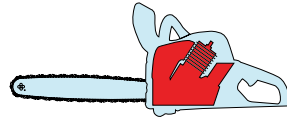


P

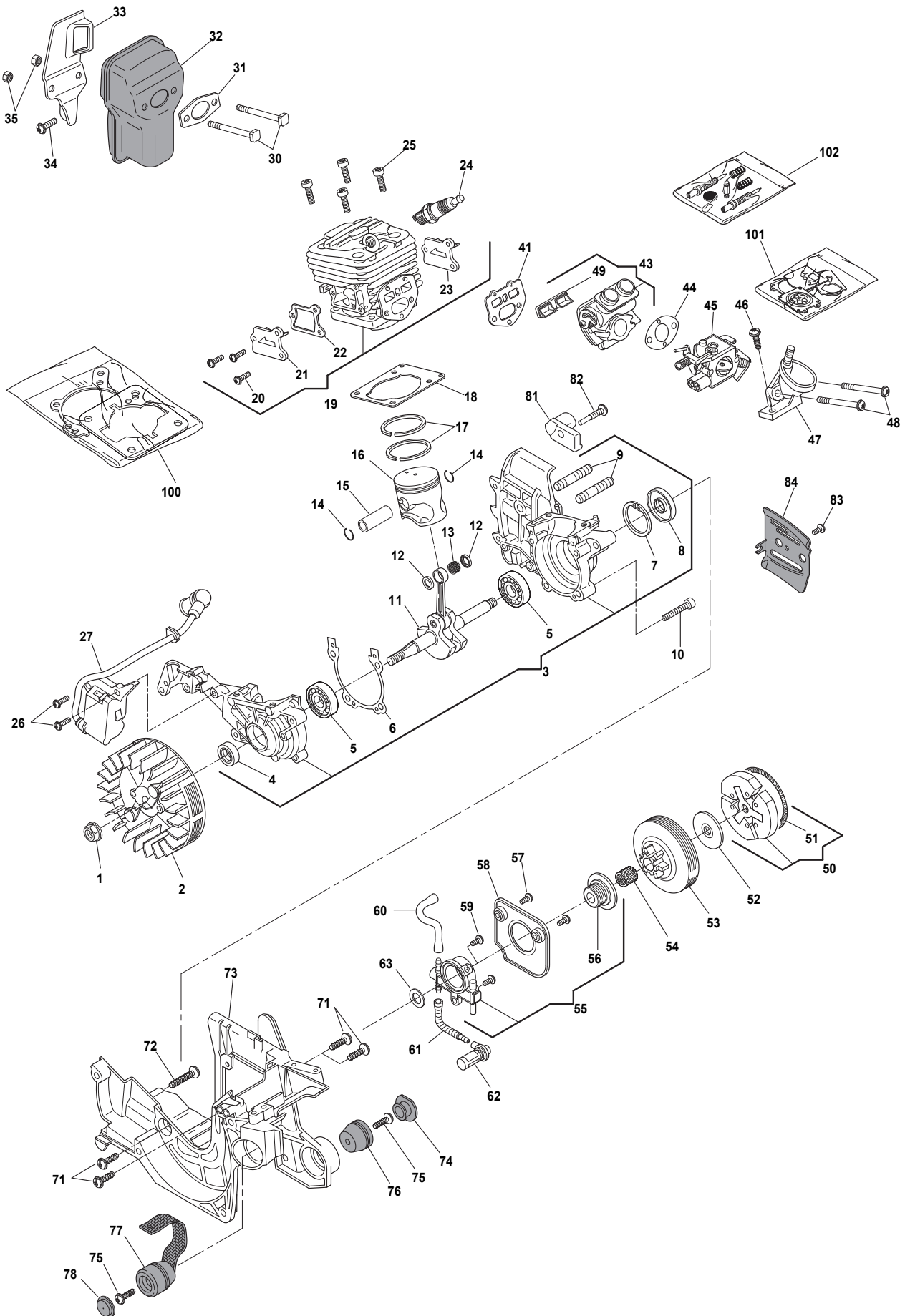
420



2007

251.0

1 / 2





| N.  | CODE       | Q.TY | DESCRIZIONE                  | DESCRIPTION        | DESCRIPTION                     | BESCHREIBUNG         | REMARKS      |
|-----|------------|------|------------------------------|--------------------|---------------------------------|----------------------|--------------|
| 1   | 6995173    | 1    | DADO                         | NUT                | ECROU                           | MUTTER               |              |
| 2   | 6995289    | 1    | ASS. VOLANO MAGNETE          | FLYWHEEL ASSY      | VOLANT AIMANT                   | SCHWUNGRAD MAGNET    |              |
| 3   | 6995281    | 1    | ASS.CARTER MOTORE            | CRANKASE ASS.Y     | ENS. CARTER MOTEUR              | PAAR MOTORABDE-CKUNG |              |
| 4   | 6995278    | 1    | ANELLO DI TENUTA             | SEAL RING          | ANNEAU DE TENUE                 | DICHTRING            |              |
| 5   | 6995277    | 2    | CUSCINETTO                   | BEARING            | ROULEMENT                       | LAGER                |              |
| 6   | -          | 1    | GUARNIZIONE                  | GASKET             | GARNITURE                       | DICHTUNG             | KIT POS. 100 |
| 7   | 6995255    | 1    | ANELLO ELASTICO              | ELASTIC RING       | ANNEAU ÉLASTIQUE                | ELASTISCHER RING     |              |
| 8   | 6995257    | 1    | ANELLO DI TENUTA             | SEAL RING          | ANNEAU DE TENUE                 | DICHTRING            |              |
| 9   | 6995028    | 2    | PRIGIONIERO BARRA            | STUD               | PRISONNIER GUIDE                | STIFTSCHRAUBE STANGE |              |
| 10  | 6995276    | 4    | VITE                         | SCREW              | VIS                             | SCHRAUBE             |              |
| 11  | 6995314    | 1    | ASS. ALBERO MOTORE           | CRANKSHAFT         | ARBRE MOTEUR                    | SET MOTORWELLE       |              |
| 12  | 6995265    | 2    | RONDELLA                     | WASHER             | RONDELLE                        | UNTERLEGSCHIEBE      |              |
| 13  | 6995304    | 1    | CUSCINETTO                   | BEARING            | ROUL. À BILLES                  | KUGELLAGER           |              |
| 14  | 6995256    | 2    | FERMO SPINOTTO               | WASHER, PISTON PIN | CIRCLIP POINTEAU                | ANSCHLAG ZAPFEN      |              |
| 15  | 6995313    | 1    | SPINOTTO PISTONE             | PISTON PIN         | POINTEAU PISTON                 | KOLBENBOLZEN         |              |
| 16  | 6995287    | 1    | PISTONE                      | PISTON             | PISTON                          | KOLBEN               |              |
| 17  | 6995258    | 2    | FASCIA ELASTICA              | PISTON RING        | COLLIER ÉLASTIQUE               | KOLBENRING           |              |
| 18  | -          | 1    | GUARNIZIONE                  | GASKET             | GARNITURE                       | DICHTUNG             | KIT POS. 100 |
| 19  | 6995284    | 1    | ASS. CILINDRO                | CYLINDER ASSY      | ENS.CYLINDRE                    | SET ZYLINDER         |              |
| 20  | 6995259    | 6    | VITE                         | SCREW              | VIS                             | SCHRAUBE             |              |
| 21  | 6995320    | 1    | COPERCHIO                    | COVER              | COUVERCLE                       | DECKEL               |              |
| 22  | 6995322    | 2    | GUARNIZIONE                  | GASKET             | GARNITURE                       | DICHTUNG             |              |
| 23  | 6995321    | 1    | COPERCHIO                    | COVER              | COUVERCLE                       | DECKEL               |              |
| 24  | 23051000/0 | 1    | CANDELA                      | SPARK PLUG         | BOUGIE                          | ZÜNDKERZE            |              |
| 25  | 6995319    | 4    | VITE                         | SCREW              | VIS                             | SCHRAUBE             |              |
| 26  | 6995261    | 2    | VITE                         | SCREW              | VIS                             | SCHRAUBE             |              |
| 27  | 6995290    | 1    | BOBINA ELETTRONICA           | ELECTRONIC COIL    | BOBINE ÉLECTRONIQUE             | ELEKTRONIKSPULE      |              |
| 30  | 6995293    | 2    | VITE                         | SCREW              | VIS                             | SCHRAUBE             |              |
| 31  | -          | 1    | GUARNIZIONE                  | GASKET             | GARNITURE                       | DICHTUNG             | KIT POS. 100 |
| 32  | 6995292    | 1    | ASS. SILENZIATORE            | MUFFLER ASSY       | SILENCIEUX                      | SET SCHALLDÄMPFER    |              |
| 33  | 6995294    | 1    | DEFLETTORE                   | DEFLECTOR          | DEFLECTEUR                      | ABWEISER             |              |
| 34  | 6995062    | 1    | VITE                         | SCREW              | VIS                             | SCHRAUBE             |              |
| 35  | 6995064    | 2    | DADO                         | NUT                | ECROU                           | MUTTER               |              |
| 41  | -          | 1    | GUARNIZIONE                  | GASKET             | GARNITURE                       | DICHTUNG             | KIT POS. 100 |
| 43  | 6995285    | 1    | COLLETTORE ASPIRA-<br>ZIONE  | INTAKE MANIFOLD    | COLLECTEUR D'ASPIRA-<br>TION    | KOLLEKTOR ANSAUGUNG  |              |
| 44  | -          | 1    | GUARNIZIONE                  | GASKET             | GARNITURE                       | DICHTUNG             | KIT POS. 100 |
| 45  | 6995291    | 1    | CARBURATORE                  | CARBURETTOR        | CARBURATEUR                     | VERGASER             |              |
| 46  | 23878013/0 | 1    | VITE                         | SCREW              | VIS                             | SCHRAUBE             |              |
| 47  | 6995267    | 1    | COLLETTORE ARIA              | AIR MANIFOLD       | COLLECTEUR AIR                  | LUFTKOLLEKTOR        |              |
| 48  | 6995271    | 2    | VITE                         | SCREW              | VIS                             | SCHRAUBE             |              |
| 49  | 6995323    | 1    | GUARNIZIONE                  | GASKET             | GARNITURE                       | DICHTUNG             |              |
| 50  | 6995282    | 1    | ASS. FRIZIONE                | CLUTCH ASS.Y       | FRICTION                        | SET KUPPLUNG         |              |
| 51  | 6995272    | 1    | MOLLA                        | SPRING             | RESSORT                         | FEDER                |              |
| 52  | 6995266    | 1    | RASAMENTO CAMPANA            | SPROCKET WASHER    | RONDELLE CLOCHE                 | SCHEIBE GLOCKE       |              |
| 53  | 6995269    | 1    | ASS.CAMPANA FRIZIONE         | DRUM ASS'Y, CLUTCH | CLOCHE FRICTION                 | SET KUPPLUNGSGLOCKE  |              |
| 54  | 6995230    | 1    | GABBIA A RULLI               | NEEDLE BEARING     | CAGE À ROULEMENTS               | WALZENKÄFIG          |              |
| 55  | 6995311    | 1    | ASS. POMPA OLIO              | OIL PUMP ASSY      | POMPE À HUILE                   | SET ÖLPUMPE          |              |
| 56  | 6995270    | 1    | VITE SENZA FINE              | FEMALE SCREW       | VIS SANS FIN                    | ENDLOSSCHRAUBE       |              |
| 57  | 6995261    | 4    | VITE                         | SCREW              | VIS                             | SCHRAUBE             |              |
| 58  | 6995305    | 1    | COPERCHIO POMPA              | COVER PUMP         | COUVERCLE POMPE                 | DECKEL ÖLPUMPE       |              |
| 60  | 6995295    | 1    | TUBO                         | TUBE               | TUBE                            | ROHR                 |              |
| 61  | 6995280    | 1    | TUBO PESCANTE OLIO           | PICKUP OIL         | TUYAU PLONGEUR HUILE            | TREISTOFFZUFUHR      |              |
| 62  | 6995296    | 1    | ASS. FILTRO OLIO             | OIL FILTER ASS.Y   | FILTRE À HUILE                  | SET ÖLFILTER         |              |
| 63  | 6995223    | 1    | RONDELLA                     | WASHER             | RONDELLE                        | UNTERLEGSCHIEBE      |              |
| 71  | 6995062    | 4    | VITE                         | SCREW              | VIS                             | SCHRAUBE             |              |
| 72  | 6995002    | 1    | VITE                         | SCREW              | VIS                             | SCHRAUBE             |              |
| 73  | 6995297    | 1    | ASS.CARTER MOTORE            | CRANKASE ASS.Y     | ENS. CARTER MOTEUR              | PAAR MOTORABDE-CKUNG |              |
| 74  | 6995068    | 1    | TAPPO PER GOMMINO<br>ANTIVIB | CAP                | BOUCH. POUR CAOUT.<br>ANTI-VIB. | STOPFEN              |              |
| 75  | 6995253    | 2    | VITE                         | SCREW              | VIS                             | SCHRAUBE             |              |
| 76  | 6995038    | 1    | GOMMINO ANTIVIBRAN-<br>TE    | SHOCK ABSORBER     | CAOUTCHOUC ANTI-VI-<br>BRATIONS | SCHWINGUNGSDÄMPFER   |              |
| 77  | 6995303    | 1    | GOMMINO ANTIVIBRAN-<br>TE    | SHOCK ABSORBER     | CAOUTCHOUC ANTI-VI-<br>BRATIONS | SCHWINGUNGSDÄMPFER   |              |
| 78  | 6995274    | 1    | TAPPO PER GOMMINO<br>ANTIVIB | CAP                | BOUCH. POUR CAOUT.<br>ANTI-VIB. | STOPFEN              |              |
| 81  | 6995279    | 1    | FERMACATENA                  | CHAIN GUARD        | BUTÉE CHAÎNE                    | KETTENSTOP           |              |
| 82  | 6995262    | 1    | VITE                         | SCREW              | VIS                             | SCHRAUBE             |              |
| 83  | 6995259    | 1    | VITE                         | SCREW              | VIS                             | SCHRAUBE             |              |
| 84  | 6995263    | 1    | PIASTRINA                    | PLATE              | PLAQUE                          | PLATTE               |              |
| 100 | 6995283    | 1    | SERIE GUARNIZIONI            | GASKET SET         | JEU GARNITURES                  | SET DICHTUNGEN       |              |
| 101 | 6995315    | 1    | KIT MEMB-GUARNIZ.            | DIAPH.-GASKET SET  | JEU GARNITURES                  | SET DICHTUNGEN       |              |
| 102 | 6995288    | 1    | KIT RIPARAZIONE              | KIT REPAIR         | KIT RÉPARATION                  | SATZ REPARATUR       |              |



P

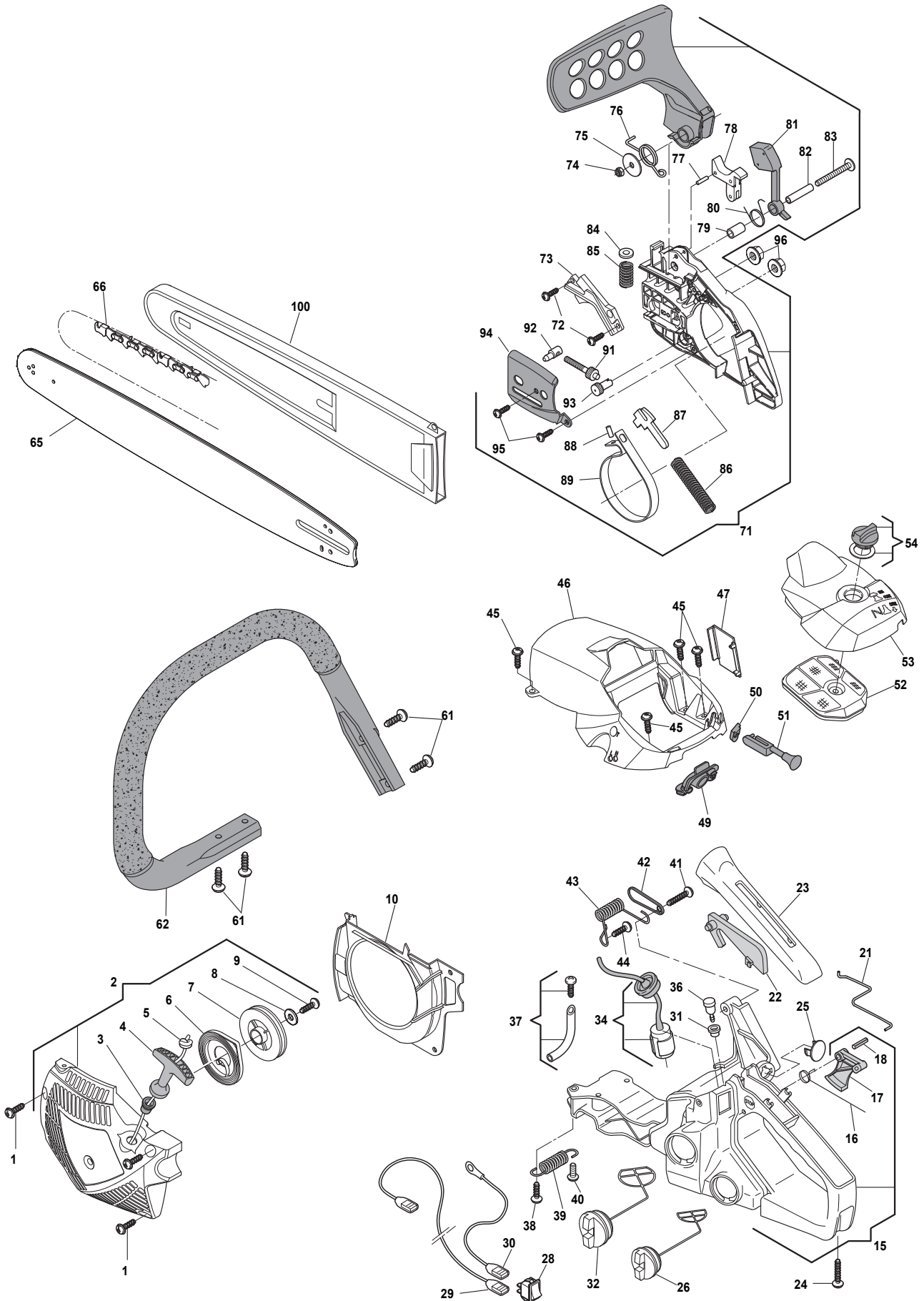
420



2007

252.0

1 / 4



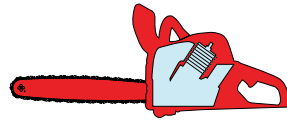


| N. | CODE       | Q.TY | DESCRIZIONE                     | DESCRIPTION                  | DESCRIPTION                | BESCHREIBUNG           | REMARKS                          |
|----|------------|------|---------------------------------|------------------------------|----------------------------|------------------------|----------------------------------|
| 1  | 23878013/0 | 3    | VITE                            | SCREW                        | VIS                        | SCHRAUBE               |                                  |
| 2  | 83058009/0 | 1    | ASS. AVVIATORE GIALLO           | STARTER ASSY YELLOW          | DÉMARREUR JAUNE            | SET STARTER GELB       |                                  |
| 2  | 83058010/0 | 1    | ASS. AVVIATORE ROSSO            | STARTER ASSY RED             | DÉMARREUR ROUGE            | SET STARTER ROT        |                                  |
| 2  | 83058011/0 | 1    | ASS. AVVIATORE ARANCIONE        | STARTER ASSY ORANGE          | DÉMARREUR ORANGE           | SET STARTER ORANGE     |                                  |
| 3  | 23044208/0 | 1    | GOMMINO PASSACAPO               | GROMMET                      | CAOUTCHOUC PASSE-CÂBLE     | LIPPKLAMPE             |                                  |
| 4  | 3750067    | 1    | IMPUGNATURA AVVIAMENTO          | STARTER HANDLE               | POIGNÉE DÉMARRAGE          | GRIFF STARTER          |                                  |
| 5  | 23234001/0 | 1    | FUNE AVVIAMENTO                 | STARTER CORD                 | CÂBLE DÉMARRAGE            | SEIL STARTER           |                                  |
| 6  | 23430562/0 | 1    | MOLLA AVVIAMENTO                | STARTER SPRING               | RESSORT DÉMARRAGE          | FEDER STARTER          |                                  |
| 7  | 23604002/0 | 1    | PULEGGIA AVVIAMENTO             | STARTER PULLEY               | POULIE DÉMARRAGE           | RIEMENSCHLEIBE STARTER |                                  |
| 8  | 23657004/0 | 1    | RONDELLA                        | WASHER                       | RONDELLE                   | UNTERLEGSCHLEIBE       |                                  |
| 9  | 23878013/0 | 1    | VITE                            | SCREW                        | VIS                        | SCHRAUBE               |                                  |
| 10 | 23107502/0 | 1    | CONVOGLIATORE ARIA              | AIR CONVEYOR                 | CONVOYEUR AIR              | LUFTSAMMELLEITUNG      |                                  |
| 15 | 6995299    | 1    | ASS. IMPUGNATURA                | HANDLE ASSY                  | ENS. POIGNÉE               | SETZ GELBER            |                                  |
| 16 | 6995114    | 1    | MOLLA LEVA ACCELERATORE         | SPRING                       | RESSORT                    | FEDER GASHEBEL         |                                  |
| 17 | 6995264    | 1    | LEVA ACCELERATORE               | THROTTLE LEVER               | LEVIER ACCÉLÉRATEUR        | GASHEBEL               |                                  |
| 18 | 6995016    | 1    | SPINA                           | PIN                          | CHEVILLE                   | STIFT                  |                                  |
| 21 | 6995307    | 1    | TIRANTE ACCELERATORE            | THROTTLE ROD                 | TIGE ACCÉLÉRATEUR          | SPANNSTIFT GASHEBEL    |                                  |
| 22 | 6995135    | 1    | LEVA SICUREZZA                  | SAFETY LEVER                 | LEVIER DE SÉCURITÉ         | SICHERHEITSHABEL       |                                  |
| 23 | 6995312    | 1    | PARTE SUPERIORE IMPUGNATURA     | HANDLE, UPPER PART           | POIGNÉE, PARTIE SUPÉRIEURE | GRIFF, OBERTEIL        |                                  |
| 24 | 6995254    | 1    | VITE                            | SCREW                        | VIS                        | SCHRAUBE               |                                  |
| 25 | 6995268    | 1    | TAPPO                           | CAP                          | BOUCHON                    | STOPFEN                |                                  |
| 26 | 6995273    | 1    | TAPPO OLIO                      | CAP OIL TANK                 | BOUCHON D'HUILE            | ÖLDECKEL               |                                  |
| 28 | 6995226    | 1    | INTERRUTTORE STOP               | SWITCH                       | INTERRUPTEUR D'ARRÊT       | STOP-SCHALTER          |                                  |
| 29 | 6995310    | 1    | CAVO DI STOP                    | STOP WIRE                    | CÂBLE ARRÊT                | KABELSPERRE            |                                  |
| 30 | 6995306    | 1    | CAVO MASSA                      | EARTH CABLE                  | CÂBLE MASSE                | ERDUNGSKABEL           |                                  |
| 31 | 6995232    | 1    | GOMMINO                         | GROMMET                      | CAOUTCHOUC                 | GUMMI                  |                                  |
| 32 | 6995260    | 1    | ASS. TAPPO MIX                  | FUEL TANK-CAP ASS.Y          | BOUCHON MÉLANGE            | SET DECKEL TREIBSTOFF  |                                  |
| 34 | 6995300    | 1    | ASS. PESCANTE MISCELA           | INTAKE FILTER ASSY           | PLONGEUR MÉLANGE           | TREIFSTOFFLEITUNG      |                                  |
| 36 | 6995221    | 1    | ASS. VALVOLA SFIATO             | BREATHER VALVE ASS.Y         | VANNE ÉVENT                | SET LÜFTUNGSVENTIL     |                                  |
| 37 | 6995298    | 1    | ASS. VALVOLA SFIATO             | BREATHER VALVE ASS.Y         | VANNE ÉVENT                | SET LÜFTUNGSVENTIL     |                                  |
| 38 | 6995002    | 1    | VITE                            | SCREW                        | VIS                        | SCHRAUBE               |                                  |
| 39 | 6995301    | 1    | MOLLA                           | SPRING                       | RESSORT                    | FEDER                  |                                  |
| 40 | 6995062    | 1    | VITE                            | SCREW                        | VIS                        | SCHRAUBE               |                                  |
| 41 | 6995002    | 1    | VITE                            | SCREW                        | VIS                        | SCHRAUBE               |                                  |
| 42 | 6995309    | 1    | PIASTRINA                       | PLATE                        | PLAQUE                     | HALTBLECH              |                                  |
| 43 | 6995302    | 1    | MOLLA                           | SPRING                       | RESSORT                    | FEDER                  |                                  |
| 45 | 23878013/0 | 4    | VITE                            | SCREW                        | VIS                        | SCHRAUBE               |                                  |
| 46 | 23087005/0 | 1    | COPRICILINDRO GIALLO            | CYLINDER COVER YELLOW        | COUVRE-CYLINDRE JAUNE      | ZYLINDERABD. GELB      |                                  |
| 46 | 23087006/0 | 1    | COPRICILINDRO ROSSO             | CYLINDER COVER RED           | COUVRE-CYLINDRE ROUGE      | ZYLINDERABD. ROT       |                                  |
| 46 | 23087007/0 | 1    | COPRICILINDRO ARANCIONE         | CYLINDER COVER ORANGE        | COUVRE-CYLINDRE ORANGE     | ZYLINDERABD. ORANGE    |                                  |
| 47 | 23653500/0 | 1    | TAPPO                           | CAP                          | BOUCHON                    | STOPFEN                |                                  |
| 49 | 6995308    | 1    | GOMMINO                         | GROMMET                      | CAOUTCHOUC                 | GUMMI                  |                                  |
| 50 | 23275006/0 | 1    | GOMMINO LEVA ARIA               | GROMMET                      | CAOUTCHOUC LEVIER AIR      | GUMMI CHOCKERHEBEL     |                                  |
| 51 | 23315062/0 | 1    | LEVA ARIA                       | CHOKE LEVER                  | LEVIER AIR                 | CHOKERHEBEL            |                                  |
| 52 | 23220001/0 | 1    | FILTRO ARIA                     | AIR FILTER                   | FILTRE À AIR               | LUFTFILTER             |                                  |
| 53 | 23090012/0 | 1    | COPRIFILTRO GIALLO              | FILTER COVER YELLOW          | COUVRE-FILTRE JAUNE        | FILTERABD. GELB        |                                  |
| 53 | 23090013/0 | 1    | COPRIFILTRO ROSSO               | FILTER COVER RED             | COUVRE-FILTRE ROUGE        | FILTERABD. ROT         |                                  |
| 53 | 23090014/0 | 1    | COPRIFILTRO ARANCIONE           | FILTER COVER ORANGE          | COUVRE-FILTRE ORANGE       | FILTERABD. ORANGE      |                                  |
| 54 | 83593500/0 | 1    | ASS. POMELLO                    | KNOB ASS'Y                   | ENS. BOUTON                | SET KNAUF              |                                  |
| 61 | 6995254    | 4    | VITE                            | SCREW                        | VIS                        | SCHRAUBE               |                                  |
| 62 | 6995286    | 1    | CORRIMANO                       | HANDLE                       | MAIN-COURANTE              | HANDLAUF               |                                  |
| 65 | 23900302/0 | 1    | BARRA GUJDA 16"                 | GUIDE BAR 16"                | GUIDE-CHAÎNE 16"           | KETTENSTEG 16"         | 16" 325" .050" (1.3 mm)          |
| 66 | 4113712    | 1    | CATENA 16"                      | CHAIN 16"                    | CHAÎNE 16"                 | KETTE 16"              | 16" 325" .050" (1.3 mm)<br>- 66E |
| 71 | 83059007/0 | 1    | ASS. CARTER FRIZIONE GIALLO     | CLUTCH HO. W/BR. ASSY YELLOW | CARTER FRICTION JAUNE      | KUPPLUNGSGEH. GELB     |                                  |
| 71 | 83059008/0 | 1    | ASS. CARTER FRIZIONE ROSSO      | CLUTCH HO. W/BR. ASSY RED    | CARTER FRICTION ROUGE      | KUPPLUNGSGEH. ROT      |                                  |
| 71 | 83059009/0 | 1    | ASS. CARTER FRIZIONE ARANCIONE  | CLUTCH HO. W/BR. ASSY ORANGE | CARTER FRICTION ORANGE     | KUPPLUNGSGEH. ORANGE   |                                  |
| 72 | 23878014/0 | 2    | VITE                            | SCREW                        | VIS                        | SCHRAUBE               |                                  |
| 73 | 23109516/0 | 1    | COPERCHIO FRENO                 | BRAKE COVER                  | COUVERCLE FREIN            | BREMSDECKEL            |                                  |
| 74 | 23120000/0 | 1    | DADO                            | NUT                          | ECROU                      | MUTTER                 |                                  |
| 75 | 23657005/0 | 1    | RONDELLA                        | WASHER                       | RONDELLE                   | UNTERLEGSCHLEIBE       |                                  |
| 76 | 23430564/0 | 1    | MOLLA                           | SPRING                       | RESSORT                    | FEDER                  |                                  |
| 77 | 23665000/0 | 1    | RULLINO                         | ROLLER                       | ROULEAU                    | WALZE                  |                                  |
| 78 | 83315050/0 | 1    | LEVA AGGANCIAMENTO FRENO CATENA | CHAIN BRAKE LEVER            | LEVIER ENCL. FREIN CHAÎNE  | KLEMMUNG KETTENBREMSE  |                                  |
| 79 | 23044207/0 | 1    | DISTANZIALE                     | BUSHING                      | ENTRETOISE                 | DISTANZSTÜCK           |                                  |



P

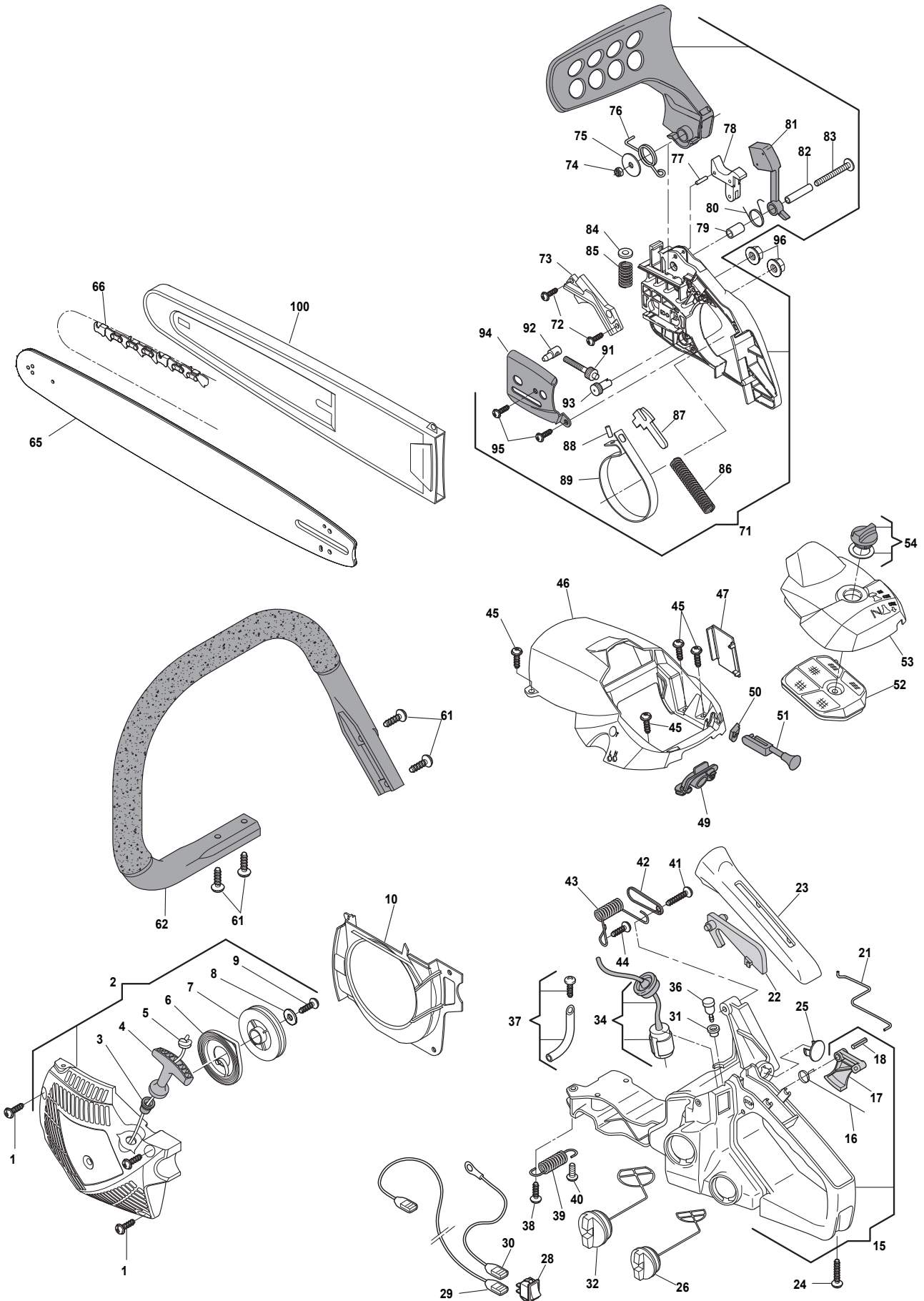
420



2007

252.0

3 / 4





| N.  | CODE       | Q.TY | DESCRIZIONE                | DESCRIPTION         | DESCRIPTION                     | BESCHREIBUNG                | REMARKS |
|-----|------------|------|----------------------------|---------------------|---------------------------------|-----------------------------|---------|
| 80  | 23430563/0 | 1    | MOLLA                      | SPRING              | RESSORT                         | FEDER                       |         |
| 81  | 23080000/0 | 1    | CONTRAPPESO                | BALANCE WEIGHT      | CONTREPOIDS                     | GEGENGEWICHT                |         |
| 82  | 23044210/0 | 1    | DISTANZIALE                | BUSHING             | ENTRETOISE                      | DISTANZSTÜCK                |         |
| 83  | 23878012/0 | 1    | VITE                       | SCREW               | VIS                             | SCHRAUBE                    |         |
| 84  | 23670000/0 | 1    | PIASTRINA                  | PLATE               | PLAQUE                          | HALTBLECH                   |         |
| 85  | 23430559/0 | 1    | MOLLA                      | SPRING              | RESSORT                         | FEDER                       |         |
| 86  | 23430565/0 | 1    | MOLLA                      | SPRING              | RESSORT                         | FEDER                       |         |
| 87  | 23315061/0 | 1    | LEVAAGGANCIO FRENO         | LEVER               | LEVIER ENCLENCHE-<br>MENT FREIN | HEBEL F. BREMSE             |         |
| 88  | 23665001/0 | 1    | RULLINO                    | NEEDLE              | ROULEAU                         | WALZE                       |         |
| 89  | 23448002/0 | 1    | NASTRO FRENO               | BRAKE BAND          | BANDE FREIN                     | BREMSBAND                   |         |
| 91  | 23878011/0 | 1    | VITE TENDICATENA           | SCREW               | VIS                             | SCHRAUBE                    |         |
| 92  | 23796004/0 | 1    | TASSELLO TENDICATENA       | BAR ADJUSTING BLOCK | GOUJON TENDEUR<br>CHAÎNE        | KETTENSANNER                |         |
| 93  | 23510093/0 | 1    | PERNO                      | PIN                 | TOURILLON                       | STIFT                       |         |
| 94  | 23311004/0 | 1    | LAMIERINO BARRA<br>ESTERNO | PLATE               | PLAQUE GUIDE EXTERNE            | BLECH STANGE AUßEN          |         |
| 95  | 23878014/0 | 2    | VITE                       | SCREW               | VIS                             | SCHRAUBE                    |         |
| 96  | 6995097    | 2    | DADO                       | NUT                 | ECROU                           | MUTTER                      |         |
| 100 | 4181307    | 1    | COPRIBARRA                 | CHAIN COVER         | PROTÈGE-GUIDE                   | SCHW. STANGENABDE-<br>CKUNG |         |

